



# CIANA

## ASSEMBLY & INSTALLATION INSTRUCTIONS

MODEL: EST-02

*Please read carefully and save these instructions for future reference.*

### CAUTION

Turn off the main power at the circuit breaker before installing the fixture, in order to prevent possible shock.

### GENERAL

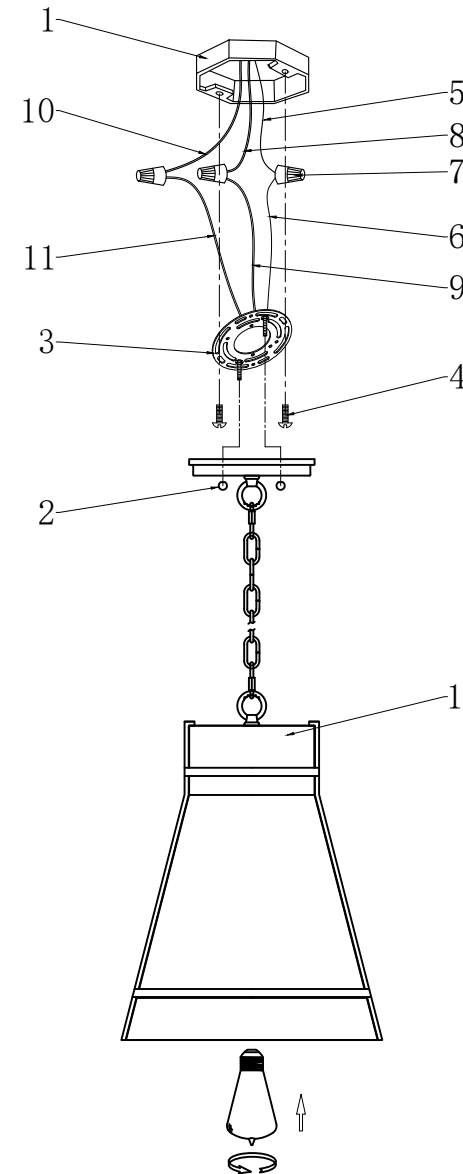
All electrical connections must be in accordance with local and National Electrical Code(N.E.C.) standards. If you are unfamiliar with proper electrical wiring connections obtain the services of a qualified electrician.

Remove the fixture and the mounting package from the box and make sure that no parts are missing by referencing the illustration on the right.

### ASSEMBLY AND INSTALLATION

1. Pull the power supply wire out from the OUTLET BOX(1). Attach the MOUNTING BRACKET (3) to the OUTLET BOX (1), using MOUNTING SCREWS(4). Attach MOUNTING BRACKET (3) to the CEILING, using MOUNTING SCREWS(13)
2. Attach the BLACK SUPPLY WIRE (8) to the BLACK FIXTURE LEAD WIRE (9) with the WIRE CONNECTOR (7). In the same manner, attach the WHITE SUPPLY WIRE (10) to the WHITE FIXTURE LEAD WIRE(11). Connect the FIXTURE GROUND WIRE (6) to the SUPPLY GROUND WIRE (5) using a WIRE CONNECTOR(7).
3. Place the FIXTURE (12) back onto the MOUNTING BRACKET(3), and secure into place using the FINIAL (2) provided.
4. Screw light bulbs into the socket and make sure they do not exceed the maximum wattage specified on the fixture's wattage rating label.
5. After installing the fixture, apply caulking to seal the enclosure to mounting surface. Leave bottom unsealed for drainage of any water that might leak into the enclosure. The manufacturer recommends a non-drying exterior caulking material, for example some clear silicone rubber sealant for exterior use.

### ASSEMBLY AND INSTALLATION (Continued)



- 1.OUTLET BOX
- 2.FINIAL
- 3.MOUNTING BRACKET
- 4.MOUNTING SCREW
- 5.SUPPLY GROUND WIRE
- 6.FIXTURE GROUND WIRE
- 7.WIRE CONNECTOR
- 8.BLACK SUPPLY WIRE
- 9.BLACK FIXTURE LEAD WIRE
- 10.WHITE SUPPLY WIRE
- 11.WHITE FIXTURE LEAD WIRE
- 12.FIXTURE